

# ■ Universal Tristop<sup>®</sup> Cylinder for Cam Brakes

■ 3rd Edition

This publication is not subject to any update service.  
New versions are available in INFORM at  
[www.wabco-auto.com](http://www.wabco-auto.com)

■ © Copyright WABCO 2006

**WABCO**


**Vehicle Control Systems**  
An American Standard Company


The right of amendment is reserved  
Version 003/05.06 (en)  
815 010 078 3

# Table of Contents


<b>Index</b>	<b>Contents</b>	<b>Page</b>
1	Safety instructions	3
2	Application of Universal Tristop® Cylinders	4
2	Installation instructions	4
2	Removal of a Tristop® Cylinder	5
2	Adapting a Tristop® Cylinder	5
2	Installing a Tristop® Cylinder	6
2	Checking the installation	6
3	Universal Tristop® Cylinders for cam brakes	7
3	Accessories	8
4	Comparison	9

## Symbols and signal words


**CAUTION**  Potential hazard situations that can cause minor or moderate personal injury if the safety instruction is not observed.


**WARNING**  Potential hazard situation which can cause serious personal injury or death if the safety instruction is not observed.

- Handling
- List

 Important note(s), explanation(s) and information which you must take into consideration.

## Safety instructions

 Carefully read through all the safety instructions before starting any tests.

**WARNING**  Repairs must be made by a qualified mechanic with specific knowledge of the system.

Carefully follow the installation instructions on the next pages!

Secure the vehicle against rolling away.


Attach a warning note on the steering wheel indicating that repair work is being performed on the vehicle.

Follow all specifications and instructions of the Vehicle Manufacturer.

Comply with the company and national accident prevention/health & safety regulations.

Wear any necessary protective clothing.

Initial spring tension! Do not open the spring actuator housing!

**CAUTION**  Only start repair work after you have read and understood all information required for repair.

It is absolutely essential that you follow the installation instructions in this brochure while performing adaptation work on the Universal-Tristop® Cylinder.

### Additional documents required

The documents are available on the WABCO website <http://www.wabco-auto.com> - simply enter the document title or document number in INFORM.

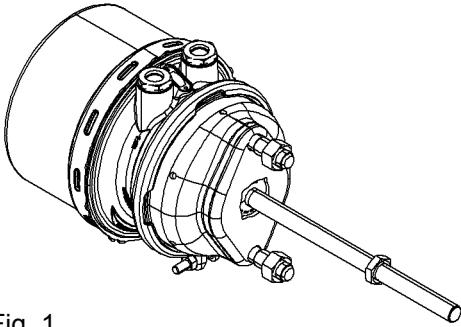


Fig. 1



Fig. 2

### 1. Universal Tristop® Cylinder

Automotive manufacturing demands short assembly times, therefore every vehicle model has its own Tristop® Cylinder which can be installed without any need for adaption. To answer the needs of all the vehicle WABCO supplies about 1500 different variants of the cam brake type alone.

WABCO also offers the Universal type Tristop® Cylinder which simplifies warehousing & enables a qualified mechanic to make the necessary changes to the springbrake. This demonstrates that keeping stock of Universal Tristop® Cylinders permits most repairs to be completed quickly, saving the need for holding a large stock of the parts and also ensuring that customers needs are met without delay.

### ! 2. What needs to be considered?

• To obtain the braking performance as specified in the brake ratings, use the same model size of WABCO Tristop® Cylinder as the one originally installed by the vehicle manufacturer.

The tables in this document will help you find the correct universal type. Go down the first column to find the original part number (See type plate corresponding with fig. 2). In the third column you will find the Universal Tristop Cylinder.

### ! 3. Replacements need to be correct with regard to the following points:

- Position of the clamp band
- Position of the threaded ports
- Position of the respiration tube
- Position of the drain port
- Length of piston rod etc.

Check these points and compare the broken original with the universal type. To make any adaptations as necessary, follow the instructions on the next pages.

The piston rod of a universal cylinder which has bellows sealing must not be shortened too much this avoids the bellows being damaged during operation. Leave a minimum gap of 82 mm between the flange surface and the centre of the yoke bore hole.

IBV- Tristop® Cylinders feature an Internal Breather Valve instead of an external respiration tube.

Original equipment cylinders with external tube can be replaced with IBV models.

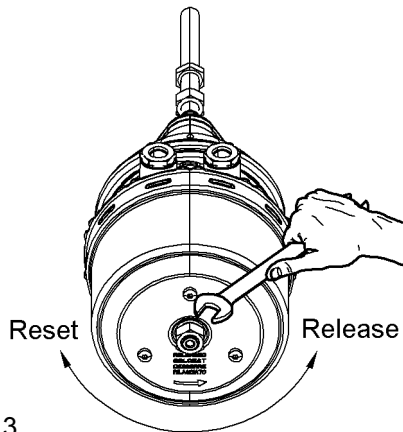


Fig. 3

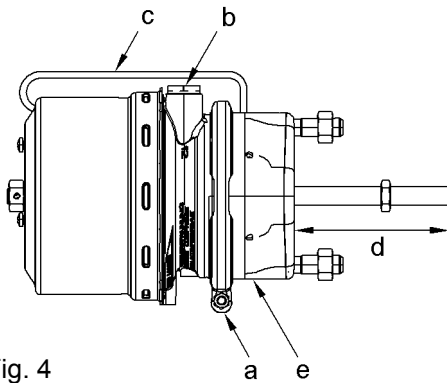


Fig. 4

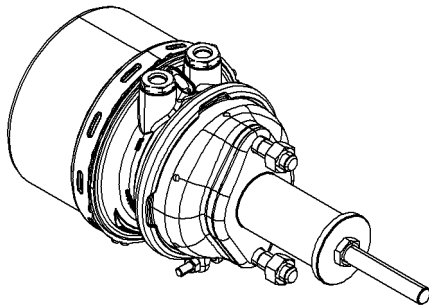


Fig. 5

## Procedure

### 1. Manually detach the cylinder from the vehicle

- Turn the releasing screw counter clockwise all the way towards the "Release" mark (see fig. 3).

### 2. Removing a Tristop® Cylinder

- Relieve all pressure from the lines (set hand brake).
- Loosen the ports and yoke.
- Remove fastening nuts.
- Remove Tristop® Cylinder

#### CAUTION

Danger of injury.



Secure the cylinder to prevent it from rolling and dropping off the workbench.

### 3. Adapting a Tristop® Cylinder

- a = Position of clamp band.
- b = Position of the the threaded ports
- c = Position of respiration tube (not required for IBV models).
- d = Length of piston rod
- e = Position of the drain port

(see fig. 4).

- ! When changing the position of a cylinder cover relative to the cylinder, the following must be observed:
  - Relieve diaphragm, for this purpose withdraw piston rod approx. 3-5 mm and hold using suitable equipment (e.g. tube, washer and hexagon nut (see fig. 5)).
- ! Avoid damage to bellows. Tube must fit over bellows.
  - Remove clamp band.
  - Lift cylinder cover.
  - When changing position of clamp band opening, align diaphragm accordingly.
- ! Clamp band opening should again correspond with the indents on the diaphragm from the original position.
  - Replace cylinder cover at the correct position.
- ! Diaphragm must not be subjected to distortions.
  - Do not use substances containing grease or oil on the diaphragm because this may cause permanent damage.
  - Use a hand-lever press to lightly press the cylinder cover against the cylinder so that the clamp band can be mounted in the correct position.
- ! To avoid damage to the cylinder, use suitable equipment. The clamp band must not be used to press the cover and cylinder together.
  - Align the clamp band with the help of a plastic hammer.

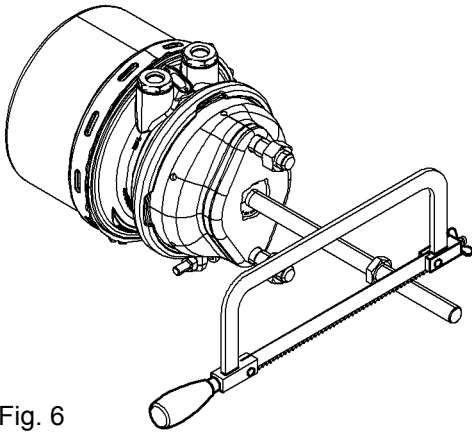


Fig. 6

- ! Check for smooth placement of the diaphragm.
- Clamp band and cover should have a uniform gap width.
  - For initial assembly, tighten the hexagon screw with a tightening torque of  $M = 25.5 \pm 2.5$  Nm.
  - After the leak test, check the tightening torque  $M \geq 14$  Nm.
  - Cut the piston rod to correct length (see fig. 6).
- ! Do not clamp the cylinder in a vice.
- In the lower section between  $90^\circ - 270^\circ$  the drain ports must remain open.
- Sealing plugs are not required.

#### 4. Installing a Tristop® Cylinder

- ! Install according to the Vehicle Manufacturers instructions.
- Do not use spring wash washers.
  - Check the mounting bracket on the axle for cracks.
- ! If any cracks are found, replace the bracket in accordance to the Vehicle Manufacturer's specifications.
  - Put on the new Tristop® Cylinder.
  - Tighten fastening nuts with a tightening torque of  $M = 210 - 30$  Nm.
  - Attach yoke to slack adjuster using a bolt and splint.
  - Connect line to port 12.
- ! Charge spring brake cylinder (port 12) and check for tightness, ensure that no air escapes from port 11.
  - Connect line to port 11.
  - Screw down release screw all the way (towards Reset mark) and tighten at  $M = 25 + 20$  Nm.

#### 5. Testing

- Actuate the Tristop® Cylinder (hand brake and service brake) several times and check for leaks, especially at the connectors and the entire circumference of the clamp band.
- Check deflection of the piston rod, a 3 deflection relative to the mid axis of the cylinder in every direction must not be exceeded.

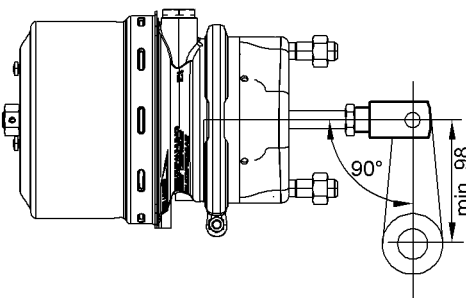


Fig. 7

- ! Following installation, the respiration tube must be positioned above the device centre at both the spring-type brake actuators and the service brake unit.
- The open drain port must point downwards (item e of fig. 4).
- The Tristop® Cylinder flange must rest flat on the mounting bracket. Be sure there is no washer between the bracket and the cylinder.
- Check the length of the piston rod. The length of the piston rod is correct if the slack adjuster is at the  $90^\circ$  position after half of the max. stroke (fig. 7).

# Universal Tristop® Cylinder for Cam Brakes

# 3

! The piston of the Tristop® Cylinder must be retracted completely while the brake is not actuated and must not be preloaded.

- An effectiveness test must be performed on a roller brake test rig.

! Replace all Tristop® Cylinders of the same axle together!

If the cylinders are older, the spring forces of the spring-loaded portion may weaken, with uneven brake action as a result.

Type	IBV	Universal Tristop® Cylinder	Port thread	Thread of piston rod	Release pressure in bar	Stroke diaphragm part	Stroke spring brake part	Piston rod length	Comments
12/12		925 455 001 0	M 16x1.5	M 14x1.5	4,8	45	45	214	Fastening nuts M12 x 1.5
12/16		925 455 200 0	M 16x1.5	M 14x1.5	4,6	65	65	203	
14/24	x	925 498 105 0	M 16x1.5 ) <sup>1</sup>	M 16x1.5	4,9	57	57	253	
16/16	x	925 494 107 0	M 16x1.5	M 14x1.5	4,9	57	57	203	
16/24	x	925 494 041 0	M 16x1.5 ) <sup>1</sup>	M 16x1.5	5,1	57	57	250	
16/24	x	925 494 108 0	M 16x1.5 ) <sup>1</sup>	M 16x1.5	5,1	57	57	250	Disc sealing
16/24	x	925 494 755 0	M 16x1.5 ) <sup>1</sup>	M 16x1.5	5,5	57	57	250	Disc sealing
20/20		925 450 040 0	M 16x1.5	M 16x1.5	5,1	57	57	250	
20/24	x	925 490 100 0	M 16x1.5 ) <sup>1</sup>	M 16x1.5	5,1	57	57	250	Disc sealing
20/24	x	925 490 102 0	M 16x1.5 ) <sup>1</sup>	M 16x1.5	4,9	65	65	250	Disc sealing
20/24	x	925 490 755 0	M 16x1.5 ) <sup>1</sup>	M 16x1.5	5,5	57	57	250	Disc sealing
20/24	x	925 490 925 0	M 16x1.5 ) <sup>1</sup>	M 16x1.5	5,1	57	57	250	
20/30	x	925 490 101 0	M 16x1.5 ) <sup>1</sup>	M 16x1.5	5,1	65	65	245	
20/30	x	925 490 121 0	M 16x1.5 ) <sup>1</sup>	M 16x1.5	5,1	65	65	245	Disc sealing
24/16		925 451 800 0	M 16x1.5	M 16x1.5	4,6	57	57	250	
24/16	x	925 491 100 0	M 16x1.5	M 16x1.5	5,1	65	65	245	
24/24	x	925 491 141 0	M 16x1.5 ) <sup>1</sup>	M 16x1.5	5,1	57	57	250	
24/24	x	925 491 142 0	M 16x1.5 ) <sup>1</sup>	M 16x1.5	5,1	57	57	250	Disc sealing
24/24	x	925 491 110 0	M 16x1.5	M 16x1.5	4,9	65	65	200	Disc sealing
24/24	x	925 491 112 0	3/8" NPTF	5/8"-18UNF-2A	4,9	65	65	250	Disc sealing
24/24	x	925 491 755 0	M 16x1.5 ) <sup>1</sup>	M 16x1.5	5,5	57	57	250	Disc sealing
24/30	x	925 491 143 0	M 16x1.5 ) <sup>1</sup>	M 16x1.5	5,1	65	65	250	
24/30	x	925 491 111 0	M 16x1.5 ) <sup>1</sup>	M 16x1.5	4,9	65	65	250	Disc sealing
27/16		925 459 200 0	M 16x1.5	M 16x1.5	4,6	57	57	250	
27/24	x	925 499 000 0	M 16x1.5	M 16x1.5	5,1	65	65	250	
27/30	x	925 499 001 0	M 16x1.5 ) <sup>1</sup>	M 16x1.5	5,1	65	65	250	
27/30	x	925 499 002 0	M 16x1.5 ) <sup>1</sup>	M 16x1.5	5,1	65	65	250	Disc sealing
30/24	x	925 492 207 0	M 16x1.5 ) <sup>1</sup>	M 16x1.5	4,9	65	65	250	Disc sealing
30/24	x	925 492 100 0	M 16x1.5	M 16x1.5	5,5	65	65	250	
30/24	x	925 492 101 0	M 16x1.5	M 16x1.5	5,1	65	65	250	
30/30	x	925 492 205 0	3/8" NPTF	5/8"-18UNF-2A	5,1	65	65	250	Disc sealing
30/30	x	925 492 206 0	1/4" NPTF	5/8"-18UNF-2A	5,1	65	65	250	Disc sealing

Type	IBV	Universal Tristop® Cylinder	Port thread	Thread of piston rod	Release pressure in bar	Stroke diaphragm part	Stroke spring brake part	Piston rod length	Comments
30/30	x	925 492 102 0	M 16x1.5 ) <sup>1</sup>	M 16x1.5	5,1	65	65	250	
30/30	x	925 492 103 0	M 16x1.5 ) <sup>1</sup>	M 16x1.5	5,1	65	65	250	Disc sealing
36/30		925 323 130 0	M 16x1.5	M 16x1.5	5,1	76	76	217	
36/36		925 453 200 0	M 16x1.5	M 16x1.5	5,7	76	67	184	

)<sup>1</sup> Stepped hole (VOSS) M 22x1.5 reduced to M 16x1.5

## Accessories

### M 22x1.5 to M 16x1.5 reduction

893 209 069 4 Reducing screw connection with O ring

### VOSS screw fitting

893 220 921 2 VOSS 230 screw-in kit M 22x1.5

893 226 683 2 VOSS 232 screw-type coupling M 22x1.5

**"Respiration tube" for universal Tristop® Cylinder** not required for IBV

for turning the pneumatic ports by max. +/- 90°

925 450 921 2

### Fittings

423 000 900 2 Yoke joint M 14x1.5, lock nut M 14x1.5

423 000 901 2 Yoke joint M 16x1.5, lock nut M 16x1.5

423 000 903 2 Yoke joint 5/8"-18UNF, bolts-Ø 12.5, lock nut 5/8"-18UNF

423 000 904 2 Yoke joint 5/8"-18UNF, bolts-Ø 15.7, lock nut 5/8"-18UNF



Part number	Type	Universal Tristop® Cylinder	Comments
425 300 110 0	20 / 24	925 490 925 0	
425 300 111 0	20 / 24	925 490 925 0	
425 300 112 0	20 / 24	925 490 925 0	
425 300 113 0	20 / 24	925 490 925 0	
425 300 114 0	20 / 24	925 490 925 0	
425 300 115 0	20 / 24	925 490 925 0	
425 300 116 0	16 / 16	925 494 107 0	
425 300 118 0	20 / 24	925 490 925 0	
425 300 121 0	20 / 24	925 490 925 0	
425 300 128 0	20 / 24	925 490 925 0	
425 300 876 0	20 / 24	925 490 925 0	
425 300 888 0	20 / 24	925 490 925 0	
425 300 889 0	20 / 24	925 490 925 0	
425 300 893 0	20 / 24	925 490 925 0	
425 300 894 0	20 / 24	925 490 925 0	
425 300 895 0	20 / 24	925 490 925 0	
425 300 896 0	20 / 24	925 490 925 0	
425 300 897 0	20 / 24	925 490 925 0	
425 300 899 0	20 / 24	925 490 925 0	
425 301 101 0	24 / 24	925 491 141 0	
425 301 847 0	24 / 24	925 491 141 0	
425 301 848 0	24 / 24	925 491 141 0	
425 301 849 0	24 / 24	925 491 141 0	
425 301 850 0	24 / 24	925 491 141 0	
425 301 851 0	24 / 24	925 491 141 0	
425 301 852 0	24 / 24	925 491 141 0	
425 301 853 0	24 / 24	925 491 141 0	
425 301 854 0	24 / 24	925 491 141 0	
425 301 856 0	24 / 24	925 491 141 0	
425 301 857 0	24 / 24	925 491 141 0	
425 301 858 0	24 / 24	925 491 141 0	
425 301 859 0	24 / 24	925 491 141 0	
425 301 860 0	24 / 24	925 491 141 0	
425 301 875 0	24 / 24	925 491 141 0	
425 301 876 0	24 / 24	925 491 141 0	
425 301 877 0	24 / 24	925 491 141 0	
425 301 878 0	24 / 24	925 491 141 0	
425 301 879 0	24 / 24	925 491 141 0	
425 301 880 0	24 / 24	925 491 141 0	
425 301 884 0	24 / 24	925 491 141 0	
425 301 885 0	24 / 24	925 491 141 0	

Part number	Type	Universal Tristop® Cylinder	Comments
425 301 888 0	24 / 24	925 491 141 0	
425 301 891 0	24 / 24	925 491 141 0	
425 301 893 0	24 / 24	925 491 141 0	
425 301 896 0	24 / 24	925 491 141 0	
425 301 897 0	24 / 24	925 491 141 0	
425 301 899 0	24 / 24	925 491 141 0	
425 302 100 0	30 / 24	925 492 100 0	
425 302 103 0	30 / 24	925 492 100 0	
425 302 104 0	30 / 24	925 492 100 0	
425 302 107 0	30 / 24	925 492 100 0	
425 302 109 0	30 / 30	925 492 102 0	
425 302 163 0	30 / 30	925 492 102 0	
425 302 164 0	30 / 30	925 492 102 0	
425 302 165 0	30 / 30	925 492 102 0	
425 302 167 0	30 / 30	925 492 102 0	
425 302 168 0	30 / 30	925 492 102 0	
425 302 178 0	30 / 30	925 492 102 0	
425 302 180 0	30 / 30	925 492 102 0	
425 302 183 0	30 / 30	925 492 102 0	
425 302 186 0	30 / 30	925 492 102 0	
425 302 200 0	30 / 30	925 492 102 0	
425 302 201 0	30 / 30	925 492 102 0	
425 302 202 0	30 / 30	925 492 102 0	
425 302 204 0	30 / 30	925 492 102 0	
425 302 207 0	30 / 30	925 492 102 0	
425 302 208 0	30 / 30	925 492 102 0	
425 302 209 0	30 / 30	925 492 102 0	
425 302 211 0	30 / 30	925 492 102 0	
425 302 212 0	30 / 30	925 492 102 0	
425 302 214 0	30 / 30	925 492 102 0	
425 302 217 0	30 / 30	925 492 102 0	
425 302 223 0	30 / 30	925 492 102 0	
425 302 241 0	30 / 30	925 492 102 0	
425 302 242 0	30 / 30	925 492 102 0	
425 302 251 0	30 / 30	925 492 102 0	
425 302 809 0	30 / 30	925 492 102 0	
425 302 819 0	30 / 30	925 492 102 0	
425 302 845 0	30 / 24	925 492 100 0	
425 302 850 0	30 / 24	925 492 100 0	
425 302 851 0	30 / 24	925 492 100 0	
425 302 852 0	30 / 24	925 492 100 0	

Part number	Type	Universal Tristop® Cylinder	Comments
425 302 853 0	30 / 24	925 492 100 0	
425 302 854 0	30 / 24	925 492 100 0	
425 302 855 0	30 / 24	925 492 100 0	
425 302 856 0	30 / 24	925 492 100 0	
425 302 857 0	30 / 24	925 492 100 0	
425 302 858 0	30 / 24	925 492 100 0	
425 302 859 0	30 / 24	925 492 100 0	
425 302 860 0	30 / 24	925 492 100 0	
425 302 862 0	30 / 24	925 492 100 0	
425 302 863 0	30 / 24	925 492 100 0	
425 302 865 0	30 / 24	925 492 100 0	
425 302 867 0	30 / 24	925 492 100 0	
425 302 872 0	30 / 24	925 492 100 0	
425 302 873 0	30 / 24	925 492 100 0	
425 302 877 0	30 / 30	925 492 102 0	
425 302 878 0	30 / 30	925 492 102 0	
425 302 883 0	30 / 24	925 492 101 0	
425 302 884 0	30 / 24	925 492 101 0	
425 302 885 0	30 / 24	925 492 101 0	
425 302 887 0	30 / 24	925 492 101 0	
425 302 888 0	30 / 24	925 492 101 0	
425 302 889 0	30 / 24	925 492 101 0	
425 302 892 0	30 / 24	925 492 101 0	
425 302 893 0	30 / 24	925 492 101 0	
425 302 895 0	30 / 24	925 492 101 0	
425 302 896 0	30 / 24	925 492 101 0	
425 302 898 0	30 / 24	925 492 101 0	
425 302 899 0	30 / 24	925 492 101 0	
425 303 100 0	36 / 30	925 323 130 0	
425 303 101 0	36 / 30	925 323 130 0	
425 303 103 0	36 / 30	925 323 130 0	
425 303 882 0	36 / 30	925 323 130 0	
425 303 890 0	36 / 30	925 323 130 0	
425 303 891 0	36 / 30	925 323 130 0	
425 303 893 0	36 / 30	925 323 130 0	
425 303 894 0	36 / 30	925 323 130 0	
425 303 895 0	36 / 30	925 323 130 0	
425 303 896 0	36 / 30	925 323 130 0	
425 303 897 0	36 / 30	925 323 130 0	
425 303 898 0	36 / 30	925 323 130 0	
425 303 899 0	36 / 30	925 323 130 0	

Part number	Type	Universal Tristop® Cylinder	Comments
425 305 130 0	12 / 12	925 455 001 0	
425 305 131 0	12 / 12	925 455 001 0	
425 305 132 0	12 / 12	925 455 001 0	
425 305 141 0	12 / 12	925 455 001 0	
890 110 000 0	24 / 24	925 491 141 0	
890 110 300 0	12 / 12	925 455 001 0	
890 110 301 0	20 / 24	925 490 925 0	
890 110 302 0	20 / 24	925 490 925 0	
890 110 303 0	20 / 24	925 490 925 0	
890 110 304 0	24 / 24	925 491 141 0	
890 110 305 0	24 / 24	925 491 141 0	
890 110 307 0	30 / 24	925 492 101 0	
890 110 308 0	30 / 24	925 492 101 0	
890 110 309 0	30 / 24	925 492 101 0	
890 110 310 0	30 / 24	925 492 100 0	
890 110 311 0	30 / 24	925 492 100 0	
890 110 312 0	30 / 24	925 492 100 0	
890 110 315 0	36 / 30	925 323 130 0	
890 110 316 0	36 / 30	925 323 130 0	
890 110 318 0	24 / 24	925 491 141 0	
890 110 319 0	24 / 24	925 491 141 0	
890 110 320 0	24 / 24	925 491 141 0	
890 110 321 0	30 / 30	925 492 102 0	
890 110 322 0	30 / 30	925 492 102 0	
890 110 326 0	12 / 12	925 455 001 0	
890 110 328 0	20 / 20	925 450 040 0	
890 110 329 0	24 / 24	925 491 141 0	
890 110 341 0	30 / 30	925 492 102 0	
890 110 347 0	16 / 24	925 494 041 0	
890 110 348 0	20 / 24	925 490 925 0	
890 110 349 0	20 / 30	925 490 101 0	
890 110 350 0	24 / 24	925 491 141 0	
890 110 351 0	24 / 30	925 491 143 0	
890 110 352 0	30 / 24	925 492 101 0	
890 110 353 0	30 / 30	925 492 102 0	
890 110 355 0	12 / 16	925 455 200 0	
890 110 356 0	14 / 24	925 498 105 0	
890 110 357 0	16 / 16	925 494 107 0	
890 110 358 0	24 / 16	925 451 800 0	
890 110 359 0	27 / 16	925 459 200 0	
890 110 360 0	27 / 24	925 499 000 0	

Part number	Type	Universal Tristop® Cylinder	Comments
890 110 361 0	36 / 36	925 453 200 0	
890 110 366 0	30 / 24	925 492 100 0	
890 110 369 0	27 / 30	925 499 001 0	
890 110 370 0	12 / 12	925 455 001 0	
890 158 103 0	24 / 24	925 491 141 0	
890 158 104 0	24 / 24	925 491 141 0	
925 300 003 0	20 / 20	925 450 040 0	
925 300 004 0	20 / 20		
925 300 044 0	20 / 20		Length of piston rod 37 mm, release pressure 5.1 bar.
925 300 046 0	20 / 20		Length of piston rod 37 mm, release pressure 5.1 bar.
925 300 047 0	20 / 20		
925 300 048 0	20 / 20		Length of piston rod 37 mm, release pressure 5.1 bar.
925 300 056 0	20 / 20		Length of piston rod 37 mm, release pressure 5.1 bar.
925 300 111 0	20 / 24	925 490 925 0	
925 300 112 0	20 / 24	925 490 925 0	
925 300 115 0	20 / 24		
925 300 117 0	20 / 24		
925 300 261 0	20 / 24	925 490 925 0	
925 300 263 0	20 / 24	925 490 925 0	
925 300 273 0	20 / 24	925 490 925 0	
925 300 281 0	20 / 24	925 490 925 0	
925 300 284 0	20 / 24		
925 300 287 0	20 / 24	925 490 925 0	
925 300 288 0	20 / 24	925 490 925 0	
925 300 289 0	20 / 24	925 490 925 0	
925 300 294 0	20 / 24	925 490 925 0	
925 300 300 0	20 / 24		
925 300 302 0	20 / 24	925 490 925 0	
925 300 303 0	20 / 24		
925 300 311 0	20 / 24		
925 300 313 0	20 / 24		
925 300 402 0	20 / 30		
925 300 409 0	20 / 30		925 420 502 0
925 300 903 0	20 / 20		Length of piston rod 37 mm, release pressure 5.1 bar.
925 300 906 0	20 / 20		Length of piston rod 37 mm, release pressure 5.1 bar.
925 300 923 0	20 / 20		Length of piston rod 37 mm, release pressure 5.1 bar.
925 301 100 0	24 / 24	925 491 141 0	
925 301 101 0	24 / 24	925 491 141 0	
925 301 102 0	24 / 24	925 491 141 0	
925 301 104 0	24 / 24	925 491 141 0	
925 301 105 0	24 / 24	925 491 141 0	

Part number	Type	Universal Tristop® Cylinder	Comments
925 301 106 0	24 / 24	925 491 141 0	
925 301 110 0	24 / 24	925 491 141 0	
925 301 111 0	24 / 24	925 491 141 0	
925 301 220 0	24 / 24		
925 301 261 0	24 / 24	925 491 141 0	
925 301 262 0	24 / 24	925 491 141 0	
925 301 266 0	24 / 24	925 491 141 0	
925 301 268 0	24 / 24	925 491 141 0	
925 301 276 0	24 / 24	925 491 141 0	
925 301 278 0	24 / 24	925 491 141 0	
925 301 280 0	24 / 24	925 491 141 0	
925 301 285 0	24 / 24	925 491 141 0	
925 301 288 0	24 / 24	925 491 141 0	
925 301 295 0	24 / 24	925 491 141 0	
925 301 300 0	24 / 24	925 491 141 0	
925 301 301 0	24 / 24	925 491 141 0	
925 301 302 0	24 / 24	925 491 141 0	
925 301 303 0	24 / 24	925 491 141 0	
925 301 304 0	24 / 24	925 491 141 0	
925 301 305 0	24 / 24	925 491 142 0	Universal Tristop® Cylinder disc sealing
925 301 306 0	24 / 24	925 491 141 0	
925 301 311 0	24 / 24	925 491 141 0	
925 301 908 0	24 / 24		Length of piston rod 36 mm, release pressure 5.1 bar.
925 302 101 0	30 / 30	925 492 102 0	
925 302 111 0	30 / 30	925 492 102 0	
925 302 186 0	30 / 30	925 492 102 0	
925 302 192 0	30 / 30	925 492 102 0	
925 302 196 0	30 / 30	925 492 102 0	
925 302 204 0	30 / 30		
925 302 214 0	30 / 30		
925 302 224 0	30 / 30	925 492 102 0	
925 302 225 0	30 / 30	925 492 102 0	
925 302 226 0	30 / 30	925 492 102 0	
925 302 227 0	30 / 30	925 492 102 0	
925 302 228 0	30 / 30	925 492 102 0	
925 302 240 0	30 / 30	925 492 102 0	
925 302 241 0	30 / 30	925 492 102 0	
925 302 250 0	30 / 30	925 492 102 0	
925 303 100 0	36 / 30	925 323 130 0	
925 303 101 0	36 / 30	925 323 130 0	
925 303 105 0	36 / 30		Length of piston rod 44 mm, release pressure 5.1 bar.

Part number	Type	Universal Tristop® Cylinder	Comments
925 303 107 0	36 / 30		
925 303 200 0	36 / 36		Length of piston rod 44 mm, release pressure 5.1 bar.
925 303 202 0	36 / 36		Length of piston rod 44 mm, release pressure 5.1 bar.
925 303 203 0	36 / 36		
925 304 000 0	16 / 24	925 494 041 0	
925 304 003 0	16 / 24	925 494 041 0	
925 304 025 0	16 / 24		
925 305 110 0	12 / 12	925 455 001 0	
925 305 111 0	12 / 12		Length of piston rod 54 mm, release pressure 4.2 bar.
925 305 115 0	12 / 12	925 455 001 0	
925 305 116 0	12 / 12	925 455 001 0	
925 305 118 0	12 / 12		Length of piston rod 37 mm, release pressure 4.2 bar.
925 305 119 0	12 / 12		Length of piston rod 54 mm, release pressure 4.2 bar.
925 305 121 0	12 / 12		Length of piston rod 54 mm, release pressure 4.2 bar.
925 305 126 0	12 / 12	925 455 001 0	
925 305 130 0	12 / 12		Length of piston rod 54 mm, release pressure 4.2 bar.
925 305 132 0	12 / 12	925 455 001 0	
925 305 140 0	12 / 12		Length of piston rod 54 mm, release pressure 4.2 bar.
925 320 080 0	20 / 24		Length of piston rod 85 mm, release pressure 4.2 bar.
925 320 081 0	20 / 24		925 320 080 0
925 320 082 0	20 / 24		925 320 080 0
925 320 083 0	20 / 24		925 320 080 0
925 320 085 0	20 / 24		Length of piston rod 50.5 mm, release pressure 4.2 bar.
925 320 086 0	20 / 24		925 320 080 0
925 320 087 0	20 / 24		925 320 080 0
925 320 100 0	20 / 24		
925 320 114 0	20 / 24		Length of piston rod 186 mm, release pressure 4.2 bar.
925 320 118 0	20 / 24		925 320 080 0
925 320 119 0	20 / 24		Length of piston rod 75 mm, release pressure 4.2 bar.
925 320 130 0	20 / 24		
925 320 138 0	20 / 24	925 490 925 0	
925 320 139 0	20 / 24		Length of piston rod 300 mm, release pressure 5.1 bar.
925 320 140 0	20 / 24		
925 320 141 0	20 / 24		Length of piston rod 37 mm, release pressure 5.1 bar.
925 320 145 0	20 / 24	925 490 925 0	
925 320 146 0	20 / 24	925 490 925 0	
925 320 147 0	20 / 24	925 490 925 0	
925 320 148 0	20 / 24		Length of piston rod 74 mm, release pressure 5.1 bar.
925 320 149 0	20 / 24	925 490 925 0	
925 320 151 0	20 / 24	925 490 925 0	
925 320 152 0	20 / 24		

Part number	Type	Universal Tristop® Cylinder	Comments
925 320 153 0	20 / 24	925 490 925 0	
925 320 154 0	20 / 24		Length of piston rod 300 mm, release pressure 5.1 bar.
925 320 156 0	20 / 24		Length of piston rod 60 mm, release pressure 5.1 bar.
925 320 157 0	20 / 24		Length of piston rod 60 mm, release pressure 5.1 bar.
925 320 158 0	20 / 24	925 490 925 0	
925 320 159 0	20 / 24		Length of piston rod 60 mm, release pressure 5.1 bar.
925 320 162 0	20 / 24		
925 320 166 0	20 / 24		Length of piston rod 60 mm, release pressure 5.1 bar.
925 320 167 0	20 / 24		Length of piston rod 60 mm, release pressure 5.1 bar.
925 320 168 0	20 / 24	925 490 925 0	
925 320 171 0	20 / 24	925 490 100 0	Universal Tristop® Cylinder disc sealing
925 320 173 0	20 / 24	925 490 925 0	
925 320 181 0	20 / 24	925 490 100 0	Universal Tristop® Cylinder disc sealing
925 320 250 0	20 / 24	925 490 925 0	
925 320 251 0	20 / 24		
925 320 252 0	20 / 24		Length of piston rod 74 mm, release pressure 5.1 bar.
925 320 253 0	20 / 24	925 490 925 0	
925 320 260 0	20 / 24	925 490 925 0	
925 320 261 0	20 / 24		
925 320 280 0	20 / 24	925 490 925 0	
925 320 282 0	20 / 24	925 490 925 0	
925 320 289 0	20 / 24		Length of piston rod 290 mm, release pressure 5.1 bar.
925 320 290 0	20 / 24	925 490 925 0	
925 320 301 0	20 / 24		
925 320 303 0	20 / 24		Length of piston rod 80 mm, release pressure 5.1 bar.
925 320 306 0	20 / 24		
925 320 311 0	20 / 24		
925 320 313 0	20 / 24	925 490 925 0	
925 320 330 0	20 / 24	925 490 925 0	
925 320 400 0	20 / 30		Length of piston rod 290 mm, release pressure 5.1 bar.
925 320 401 0	20 / 30		Length of piston rod 290 mm, release pressure 5.1 bar.
925 320 402 0	20 / 30		Length of piston rod 30 mm, release pressure 5.1 bar.
925 320 403 0	20 / 30	925 490 101 0	
925 320 404 0	20 / 30	925 490 101 0	
925 320 405 0	20 / 30		
925 320 406 0	20 / 30		Length of piston rod 60 mm, release pressure 5.1 bar.
925 320 413 0	20 / 30		
925 320 415 0	20 / 30		
925 320 500 0	20 / 30		Length of piston rod 300 mm, release pressure 5.1 bar.
925 320 501 0	20 / 30	925 490 101 0	
925 320 502 0	20 / 30		Length of piston rod 30 mm, release pressure 5.1 bar.



Part number	Type	Universal Tristop® Cylinder	Comments
925 320 503 0	20 / 30		Length of piston rod 30 mm, release pressure 5.1 bar.
925 320 504 0	20 / 30		
925 320 505 0	20 / 30	925 490 121 0	Universal Tristop® Cylinder disc sealing
925 320 507 0	20 / 30	925 490 121 0	Universal Tristop® Cylinder disc sealing
925 320 508 0	20 / 30	925 490 101 0	
925 320 509 0	20 / 30	925 490 101 0	
925 320 513 0	20 / 30		Length of piston rod 30 mm, release pressure 5.1 bar.
925 320 514 0	20 / 30		
925 320 515 0	20 / 30	925 490 121 0	Universal Tristop® Cylinder disc sealing
925 320 517 0	20 / 30	925 490 121 0	Universal Tristop® Cylinder disc sealing
925 320 520 0	20 / 30	925 490 101 0	
925 320 521 0	20 / 30		Length of piston rod 70 mm, release pressure 5.1 bar.
925 320 522 0	20 / 30		Length of piston rod 37 mm, release pressure 5.1 bar.
925 320 523 0	20 / 30		Length of piston rod 70 mm, release pressure 5.1 bar.
925 320 524 0	20 / 30	925 490 101 0	
925 320 525 0	20 / 30	925 490 101 0	
925 320 526 0	20 / 30	925 490 101 0	
925 320 528 0	20 / 30	925 490 101 0	
925 320 532 0	20 / 30		Length of piston rod 37 mm, release pressure 5.1 bar.
925 320 538 0	20 / 30	925 490 101 0	
925 320 701 0	20 / 24	925 490 755 0	Universal Tristop® Cylinder disc sealing
925 320 702 0	20 / 24	925 490 755 0	Universal Tristop® Cylinder disc sealing
925 320 703 0	20 / 24		Length of piston rod 37 mm, release pressure 5.5 bar.
925 320 704 0	20 / 24	925 490 755 0	Universal Tristop® Cylinder disc sealing
925 320 714 0	20 / 24	925 490 755 0	Universal Tristop® Cylinder disc sealing
925 320 900 0	20 / 30		
925 320 902 0	20 / 24		
925 320 903 0	20 / 24		
925 320 904 0	20 / 24		
925 320 905 0	20 / 24		
925 320 914 0	20 / 24		925 320 904 0
925 320 950 0	20 / 24		
925 321 001 0	24 / 24	925 491 141 0	
925 321 002 0	24 / 24	925 491 141 0	
925 321 080 0	24 / 24	925 491 141 0	
925 321 085 0	24 / 24		
925 321 090 0	24 / 24	925 491 141 0	
925 321 095 0	24 / 24		
925 321 100 0	24 / 24	925 491 141 0	
925 321 101 0	24 / 24	925 491 141 0	
925 321 102 0	24 / 24	925 491 141 0	

Part number	Type	Universal Tristop® Cylinder	Comments
925 321 103 0	24 / 24		Length of piston rod 70 mm, release pressure 5.1 bar.
925 321 104 0	24 / 24	925 491 141 0	
925 321 106 0	24 / 24	925 491 141 0	
925 321 107 0	24 / 24	925 491 141 0	
925 321 108 0	24 / 24	925 491 141 0	
925 321 109 0	24 / 24	925 491 141 0	
925 321 110 0	24 / 24	925 491 141 0	
925 321 111 0	24 / 24	925 491 141 0	
925 321 114 0	24 / 24		
925 321 117 0	24 / 24	925 491 141 0	
925 321 118 0	24 / 24	925 491 141 0	
925 321 119 0	24 / 24		Length of piston rod 70 mm, release pressure 5.1 bar.
925 321 120 0	24 / 24	925 491 141 0	
925 321 121 0	24 / 24	925 491 141 0	
925 321 122 0	24 / 24	925 491 141 0	
925 321 130 0	24 / 24		
925 321 131 0	24 / 24		
925 321 132 0	24 / 24	925 491 141 0	
925 321 133 0	24 / 24	925 491 141 0	
925 321 135 0	24 / 24		Length of piston rod 70 mm, release pressure 5.1 bar.
925 321 136 0	24 / 24		
925 321 137 0	24 / 24	925 491 141 0	925 421 137 0
925 321 138 0	24 / 24	925 491 141 0	
925 321 147 0	24 / 24	925 491 141 0	
925 321 149 0	24 / 24	925 491 141 0	
925 321 151 0	24 / 24	925 491 141 0	
925 321 152 0	24 / 24	925 491 141 0	
925 321 153 0	24 / 24	925 491 141 0	
925 321 154 0	24 / 24		
925 321 155 0	24 / 24	925 491 141 0	
925 321 156 0	24 / 24		
925 321 158 0	24 / 24	925 491 141 0	
925 321 159 0	24 / 24		
925 321 160 0	24 / 24	925 491 141 0	
925 321 161 0	24 / 24	925 491 141 0	
925 321 162 0	24 / 24		
925 321 163 0	24 / 24		
925 321 164 0	24 / 24		
925 321 165 0	24 / 24	925 491 141 0	
925 321 166 0	24 / 24	925 491 141 0	
925 321 167 0	24 / 24		

Part number	Type	Universal Tristop® Cylinder	Comments
925 321 168 0	24 / 24	925 491 141 0	
925 321 169 0	24 / 24		
925 321 171 0	24 / 24	925 491 141 0	
925 321 172 0	24 / 24	925 491 141 0	
925 321 173 0	24 / 24	925 491 141 0	
925 321 174 0	24 / 24		
925 321 175 0	24 / 24	925 491 141 0	
925 321 176 0	24 / 24		
925 321 177 0	24 / 24	925 491 141 0	
925 321 178 0	24 / 24	925 491 141 0	
925 321 180 0	24 / 24		
925 321 181 0	24 / 24	925 491 141 0	
925 321 182 0	24 / 24	925 491 141 0	
925 321 184 0	24 / 24		
925 321 191 0	24 / 24	925 491 141 0	
925 321 200 0	24 / 24		Length of piston rod 64 mm, release pressure 5.1 bar.
925 321 201 0	24 / 24		
925 321 202 0	24 / 24	925 491 141 0	
925 321 203 0	24 / 24		Length of piston rod 25 mm, release pressure 5.1 bar.
925 321 204 0	24 / 24	925 491 141 0	
925 321 205 0	24 / 24	925 491 141 0	
925 321 210 0	24 / 24		Length of piston rod 64 mm, release pressure 5.1 bar.
925 321 220 0	24 / 24		
925 321 223 0	24 / 24		
925 321 230 0	24 / 24		
925 321 251 0	24 / 24		
925 321 280 0	24 / 24	925 491 141 0	
925 321 282 0	24 / 24	925 491 141 0	
925 321 283 0	24 / 24		
925 321 285 0	24 / 24	925 491 141 0	
925 321 287 0	24 / 24		
925 321 288 0	24 / 24	925 491 141 0	
925 321 289 0	24 / 24	925 491 141 0	
925 321 292 0	24 / 24	925 491 141 0	
925 321 295 0	24 / 24	925 491 141 0	
925 321 296 0	24 / 24		
925 321 297 0	24 / 24		Length of piston rod 64 mm, release pressure 5.1 bar.
925 321 300 0	24 / 24	925 491 141 0	
925 321 301 0	24 / 24	925 491 141 0	
925 321 305 0	24 / 24	925 451 002 0	Universal Tristop® Cylinder disc sealing
925 321 322 0	24 / 24	925 491 141 0	

Part number	Type	Universal Tristop® Cylinder	Comments
925 321 340 0	24 / 24		
925 321 341 0	24 / 24	925 491 141 0	
925 321 343 0	24 / 24	925 491 141 0	
925 321 345 0	24 / 24		
925 321 350 0	24 / 24		
925 321 351 0	24 / 24	925 491 141 0	
925 321 355 0	24 / 24		
925 321 400 0	24 / 30	925 491 143 0	
925 321 401 0	24 / 30	925 491 143 0	
925 321 402 0	24 / 30		Length of piston rod 77 mm, release pressure 5.1 bar.
925 321 403 0	24 / 30		
925 321 404 0	24 / 30	925 491 143 0	
925 321 405 0	24 / 30	925 491 143 0	
925 321 406 0	24 / 30	925 491 143 0	
925 321 407 0	24 / 30		Length of piston rod 77 mm, release pressure 5.1 bar.
925 321 408 0	24 / 30		Length of piston rod 60 mm, release pressure 5.1 bar.
925 321 411 0	24 / 30		Length of piston rod 70 mm, release pressure 5.1 bar.
925 321 412 0	24 / 30		
925 321 417 0	24 / 30		Length of piston rod 77 mm, release pressure 5.1 bar.
925 321 418 0	24 / 30		Length of piston rod 60 mm, release pressure 5.1 bar.
925 321 420 0	24 / 30	925 491 143 0	
925 321 421 0	24 / 30	925 491 143 0	
925 321 422 0	24 / 30	925 491 143 0	
925 321 423 0	24 / 30	925 491 143 0	
925 321 425 0	24 / 30	925 491 143 0	
925 321 426 0	24 / 30		
925 321 428 0	24 / 30		
925 321 430 0	24 / 30	925 491 143 0	
925 321 431 0	24 / 30	925 491 143 0	
925 321 432 0	24 / 30	925 491 143 0	
925 321 433 0	24 / 30		Length of piston rod 50.8 mm, release pressure 5.1 bar.
925 321 435 0	24 / 30	925 491 143 0	
925 321 438 0	24 / 30		
925 321 440 0	24 / 30		
925 321 443 0	24 / 30		Length of piston rod 50.8 mm, release pressure 5.1 bar.
925 321 444 0	24 / 30	925 491 143 0	
925 321 445 0	24 / 30	925 491 143 0	
925 321 446 0	24 / 30	925 491 143 0	
925 321 447 0	24 / 30		
925 321 448 0	24 / 30	925 491 143 0	
925 321 450 0	24 / 30		

Part number	Type	Universal Tristop® Cylinder	Comments
925 321 458 0	24 / 30	925 491 143 0	
925 321 461 0	24 / 30	925 491 143 0	
925 321 462 0	24 / 30		Length of piston rod 60 mm, release pressure 5.1 bar.
925 321 471 0	24 / 30	925 491 143 0	
925 321 472 0	24 / 30	925 491 143 0	
925 321 550 0	24 / 24		
925 321 600 0	24 / 24		925 321 813 0
925 321 620 0	24 / 24		925 321 813 0
925 321 701 0	24 / 24	925 491 755 0	Universal Tristop® Cylinder disc sealing
925 321 703 0	24 / 24	925 491 755 0	Universal Tristop® Cylinder disc sealing
925 321 704 0	24 / 24	925 491 755 0	Universal Tristop® Cylinder disc sealing
925 321 705 0	24 / 24	925 491 755 0	Universal Tristop® Cylinder disc sealing
925 321 715 0	24 / 24	925 491 755 0	Universal Tristop® Cylinder disc sealing
925 321 721 0	24 / 24	925 491 755 0	Universal Tristop® Cylinder disc sealing
925 321 723 0	24 / 24	925 491 755 0	Universal Tristop® Cylinder disc sealing
925 321 800 0	24 / 16		
925 321 801 0	24 / 16		
925 321 802 0	24 / 16		
925 321 803 0	24 / 16		
925 321 810 0	24 / 16		
925 321 811 0	24 / 16		
925 321 813 0	24 / 16		
925 321 905 0	24 / 24	925 491 141 0	
925 321 906 0	24 / 24		
925 321 910 0	24 / 24		
925 321 911 0	24 / 24		
925 321 916 0	24 / 24		
925 321 921 0	24 / 24	925 491 141 0	
925 321 923 0	24 / 24	925 491 141 0	
925 321 924 0	24 / 30		
925 321 931 0	24 / 24	925 491 141 0	
925 321 941 0	24 / 16		
925 322 014 0	30 / 24	925 492 101 0	
925 322 015 0	30 / 24	925 492 101 0	
925 322 016 0	30 / 24		
925 322 017 0	30 / 24		
925 322 018 0	30 / 24	925 492 101 0	
925 322 019 0	30 / 24		
925 322 021 0	30 / 24		Length of piston rod 70 mm, release pressure 5.1 bar.
925 322 022 0	30 / 24		Length of piston rod 70 mm, release pressure 5.1 bar.
925 322 024 0	30 / 24	925 492 101 0	

Part number	Type	Universal Tristop® Cylinder	Comments
925 322 025 0	30 / 24	925 492 101 0	
925 322 034 0	30 / 24	925 492 101 0	
925 322 060 0	30 / 30		
925 322 061 0	30 / 30	925 492 103 0	
925 322 063 0	30 / 30	925 492 103 0	
925 322 064 0	30 / 30	925 492 103 0	
925 322 065 0	30 / 30		
925 322 066 0	30 / 30		
925 322 067 0	30 / 30	925 492 103 0	
925 322 068 0	30 / 30	925 492 102 0	
925 322 070 0	30 / 30		
925 322 071 0	30 / 30	925 492 102 0	
925 322 076 0	30 / 30		
925 322 078 0	30 / 30	925 492 102 0	
925 322 081 0	30 / 30		
925 322 082 0	30 / 30		
925 322 091 0	30 / 30		
925 322 092 0	30 / 30		
925 322 098 0	30 / 30	925 492 102 0	
925 322 100 0	30 / 30		
925 322 101 0	30 / 30	925 492 103 0	
925 322 102 0	30 / 30	925 492 103 0	
925 322 103 0	30 / 30	925 492 103 0	
925 322 104 0	30 / 30	925 492 103 0	
925 322 105 0	30 / 30	925 492 105 0	
925 322 106 0	30 / 30		
925 322 107 0	30 / 30		
925 322 108 0	30 / 30	925 492 102 0	
925 322 109 0	30 / 30	925 492 102 0	
925 322 110 0	30 / 30	925 492 102 0	
925 322 111 0	30 / 30	925 492 102 0	
925 322 112 0	30 / 30	925 492 102 0	
925 322 115 0	30 / 30	925 492 102 0	
925 322 117 0	30 / 30		
925 322 121 0	30 / 30	925 492 102 0	
925 322 122 0	30 / 30		
925 322 123 0	30 / 30	925 492 102 0	
925 322 124 0	30 / 30	925 492 102 0	
925 322 125 0	30 / 30	925 492 102 0	
925 322 126 0	30 / 30	925 492 102 0	
925 322 130 0	30 / 30	925 492 102 0	

Part number	Type	Universal Tristop® Cylinder	Comments
925 322 132 0	30 / 30	925 492 102 0	
925 322 133 0	30 / 30	925 492 102 0	
925 322 134 0	30 / 30	925 492 102 0	
925 322 135 0	30 / 30	925 492 102 0	
925 322 136 0	30 / 30	925 492 102 0	
925 322 150 0	30 / 30	925 492 102 0	
925 322 151 0	30 / 30	925 492 102 0	
925 322 155 0	30 / 30	925 492 102 0	
925 322 157 0	30 / 30	925 492 102 0	
925 322 160 0	30 / 30	925 492 102 0	
925 322 161 0	30 / 30	925 492 102 0	
925 322 162 0	30 / 30	925 492 102 0	
925 322 164 0	30 / 30	925 492 102 0	
925 322 167 0	30 / 30	925 492 102 0	
925 322 174 0	30 / 30	925 492 102 0	
925 322 175 0	30 / 30	925 492 102 0	
925 322 186 0	30 / 30	925 492 102 0	
925 322 188 0	30 / 30		
925 322 198 0	30 / 30		
925 322 201 0	30 / 30	925 492 103 0	Universal Tristop® Cylinder disc sealing
925 322 205 0	30 / 30		Length of piston rod 37 mm, release pressure 5.1 bar.
925 322 206 0	30 / 30		Length of piston rod 37 mm, release pressure 5.1 bar.
925 322 207 0	30 / 30		Length of piston rod 285 mm, release pressure 5.1 bar.
925 322 208 0	30 / 30	925 492 102 0	
925 322 211 0	30 / 30	925 492 103 0	Universal Tristop® Cylinder disc sealing
925 322 215 0	30 / 30		Length of piston rod 37 mm, release pressure 5.1 bar.
925 322 216 0	30 / 30		Length of piston rod 37 mm, release pressure 5.1 bar.
925 322 217 0	30 / 30	925 492 102 0	
925 322 224 0	30 / 30	925 492 102 0	
925 322 226 0	30 / 30	925 492 102 0	
925 322 227 0	30 / 30	925 492 102 0	
925 322 241 0	30 / 30		Length of piston rod 77 mm, release pressure 5.1 bar.
925 322 250 0	30 / 30		Length of piston rod 290 mm, release pressure 5.1 bar.
925 322 251 0	30 / 30		Length of piston rod 77 mm, release pressure 5.1 bar.
925 322 252 0	30 / 30		
925 322 253 0	30 / 30		Length of piston rod 68 mm, release pressure 5.1 bar.
925 322 255 0	30 / 30	925 492 102 0	
925 322 258 0	30 / 30	925 492 102 0	
925 322 265 0	30 / 30	925 492 102 0	
925 322 266 0	30 / 30	925 492 103 0	Universal Tristop® Cylinder disc sealing
925 322 270 0	30 / 30	925 492 102 0	

Part number	Type	Universal Tristop® Cylinder	Comments
925 322 271 0	30 / 30	925 492 102 0	
925 322 300 0	30 / 30		
925 322 310 0	30 / 30		Length of piston rod 70 mm, release pressure 5.1 bar.
925 322 420 0	30 / 30		Length of piston rod 136 mm, release pressure 5.8 bar.
925 322 421 0	30 / 30		Length of piston rod 77 mm, release pressure 5.8 bar.
925 322 423 0	30 / 30		Length of piston rod 77 mm, release pressure 5.8 bar.
925 322 424 0	30 / 30		Length of piston rod 38 mm, release pressure 5.8 bar.
925 322 427 0	30 / 30		Length of piston rod 38 mm, release pressure 5.8 bar.
925 322 428 0	30 / 30		Length of piston rod 235 mm, release pressure 5.8 bar.
925 322 431 0	30 / 30		Length of piston rod 77 mm, release pressure 5.8 bar.
925 322 433 0	30 / 30		Length of piston rod 77 mm, release pressure 5.8 bar.
925 322 434 0	30 / 30		Length of piston rod 86 mm, release pressure 5.8 bar.
925 322 435 0	30 / 30		Length of piston rod 260 mm, release pressure 5.8 bar.
925 322 436 0	30 / 30		Length of piston rod 86 mm, release pressure 5.8 bar.
925 322 500 0	30 / 30	925 492 102 0	
925 322 600 0	30 / 24		Length of piston rod 77 mm, release pressure 5.1 bar.
925 322 601 0	30 / 24		Length of piston rod 37 mm, release pressure 5.1 bar.
925 322 602 0	30 / 24		Length of piston rod 54 mm, release pressure 5.1 bar.
925 322 603 0	30 / 24	925 492 101 0	925 422 603 0
925 322 610 0	30 / 24		Length of piston rod 77 mm, release pressure 5.1 bar.
925 322 611 0	30 / 24		Length of piston rod 37 mm, release pressure 5.1 bar.
925 322 612 0	30 / 24		Length of piston rod 54 mm, release pressure 5.1 bar.
925 322 613 0	30 / 24	925 492 101 0	925 422 613 0
925 322 622 0	30 / 24		Length of piston rod 54 mm, release pressure 5.1 bar.
925 322 641 0	30 / 24	925 492 101 0	
925 322 701 0	30 / 24		Length of piston rod 75 mm, release pressure 5.5 bar.
925 322 702 0	30 / 24	925 492 100 0	
925 322 703 0	30 / 24	925 492 100 0	
925 322 710 0	30 / 24	925 492 100 0	
925 322 713 0	30 / 24	925 492 100 0	
925 322 800 0	27 / 16		Length of piston rod 37 mm, release pressure 4.6 bar.
925 322 801 0	27 / 16		Length of piston rod 37 mm, release pressure 4.6 bar.
925 322 802 0	27 / 16		Length of piston rod 54 mm, release pressure 4.6 bar.
925 322 803 0	27 / 16		Length of piston rod 54 mm, release pressure 4.6 bar.
925 322 810 0	27 / 16		Length of piston rod 37 mm, release pressure 4.6 bar.
925 322 811 0	27 / 16		Length of piston rod 37 mm, release pressure 4.6 bar.
925 322 813 0	27 / 16		Length of piston rod 54 mm, release pressure 4.6 bar.
925 322 860 0	30 / 16		Length of piston rod 37 mm, release pressure 4.6 bar.
925 322 861 0	30 / 16		Length of piston rod 37 mm, release pressure 4.6 bar.
925 322 870 0	30 / 16		Length of piston rod 37 mm, release pressure 4.6 bar.
925 322 871 0	30 / 16		Length of piston rod 37 mm, release pressure 4.6 bar.



Part number	Type	Universal Tristop® Cylinder	Comments
925 322 901 0	30 / 30		
925 322 902 0	30 / 30		Length of piston rod 70 mm, release pressure 5.1 bar.
925 322 903 0	30 / 30	925 492 102 0	
925 322 905 0	30 / 24		Length of piston rod 54 mm, release pressure 5.1 bar.
925 322 906 0	30 / 30		Length of piston rod 150 mm, release pressure 5.1 bar.
925 322 907 0	30 / 30		Length of piston rod 210 mm, release pressure 5.1 bar.
925 322 920 0	30 / 30		Length of piston rod 50 mm, release pressure 5.1 bar.
925 322 930 0	30 / 30		
925 323 102 0	36 / 30	925 323 130 0	
925 323 104 0	36 / 30	925 323 130 0	
925 323 105 0	36 / 30		Length of piston rod 70 mm, release pressure 5.1 bar.
925 323 106 0	36 / 30	925 323 130 0	
925 323 114 0	36 / 30	925 323 130 0	
925 323 116 0	36 / 30	925 323 130 0	
925 323 120 0	36 / 30	925 323 130 0	
925 323 122 0	36 / 30	925 323 130 0	
925 323 123 0	36 / 30		
925 323 124 0	36 / 30	925 323 130 0	
925 323 125 0	36 / 30		
925 323 126 0	36 / 30		Length of piston rod 50 mm, release pressure 5.1 bar.
925 323 127 0	36 / 30		Length of piston rod 200 mm, release pressure 4.8 bar.
925 323 134 0	36 / 30	925 323 130 0	
925 323 136 0	36 / 30		Length of piston rod 50 mm, release pressure 5.1 bar.
925 323 151 0	36 / 30		Length of piston rod 219 mm, release pressure 5.8 bar.
925 323 900 0	36 / 30		Length of piston rod 92 mm, release pressure 5.1 bar.
925 323 901 0	36 / 30		Length of piston rod 210 mm, release pressure 5.1 bar.
925 324 000 0	16 / 24	925 494 041 0	
925 324 001 0	16 / 24	925 494 041 0	
925 324 002 0	16 / 24	925 494 041 0	Length of piston rod 290 mm, release pressure 5.1 bar.
925 324 003 0	16 / 24		Length of piston rod 30 mm, release pressure 5.1 bar.
925 324 004 0	16 / 24		
925 324 005 0	16 / 24		
925 324 006 0	16 / 24		
925 324 007 0	16 / 24		Length of piston rod 200 mm, release pressure 5.1 bar.
925 324 014 0	16 / 24		
925 324 015 0	16 / 24		
925 324 016 0	16 / 24		
925 324 020 0	16 / 24	925 494 041 0	
925 324 022 0	16 / 24	925 494 041 0	
925 324 027 0	16 / 24		
925 324 029 0	16 / 24		Length of piston rod 37 mm, release pressure 5.1 bar.

Part number	Type	Universal Tristop® Cylinder	Comments
925 324 030 0	16 / 24	925 494 041 0	
925 324 037 0	16 / 24		
925 324 039 0	16 / 24		Length of piston rod 37 mm, release pressure 5.1 bar.
925 324 040 0	16 / 24		Length of piston rod 60 mm, release pressure 5.1 bar.
925 324 100 0	16 / 24	925 494 041 0	
925 324 101 0	16 / 24	925 494 041 0	
925 324 102 0	16 / 24		Length of piston rod 300 mm, release pressure 5.1 bar.
925 324 103 0	16 / 24		Length of piston rod 30 mm, release pressure 5.1 bar.
925 324 104 0	16 / 24	925 494 041 0	
925 324 120 0	16 / 24		
925 324 127 0	16 / 24		Length of piston rod 60 mm, release pressure 5.1 bar.
925 324 129 0	16 / 24	925 494 108 0	Universal Tristop® Cylinder disc sealing
925 324 130 0	16 / 24		
925 324 137 0	16 / 24		
925 324 139 0	16 / 24	925 494 108 0	Universal Tristop® Cylinder disc sealing
925 324 141 0	16 / 24		Length of piston rod 300 mm, release pressure 5.1 bar.
925 324 151 0	16 / 24		Length of piston rod 300 mm, release pressure 5.1 bar.
925 324 200 0	16 / 24	925 494 041 0	
925 324 201 0	16 / 24		Length of piston rod 60 mm, release pressure 5.1 bar.
925 324 203 0	16 / 24		Length of piston rod 58 mm, release pressure 5.1 bar.
925 324 204 0	16 / 24		Length of piston rod 290 mm, release pressure 5.1 bar.
925 324 206 0	16 / 24		Length of piston rod 60 mm, release pressure 5.1 bar.
925 324 209 0	16 / 24	925 494 041 0	
925 324 210 0	16 / 24	925 494 041 0	
925 324 211 0	16 / 24		Length of piston rod 60 mm, release pressure 5.1 bar.
925 324 212 0	16 / 24		Length of piston rod 38 mm, release pressure 5.1 bar.
925 324 219 0	16 / 24	925 494 041 0	
925 324 220 0	16 / 24		Length of piston rod 75 mm, release pressure 5.1 bar.
925 324 221 0	16 / 24	925 494 041 0	
925 324 240 0	16 / 24	925 494 041 0	
925 324 300 0	16 / 24	925 494 041 0	
925 324 310 0	16 / 24	925 494 041 0	
925 324 701 0	16 / 24	925 494 755 0	
925 324 702 0	16 / 24	925 494 755 0	
925 324 703 0	16 / 24	925 494 755 0	
925 324 713 0	16 / 24	925 494 755 0	
925 324 800 0	16 / 16	925 494 107 0	
925 324 801 0	16 / 16		Length of piston rod 30 mm, release pressure 4.6 bar.
925 324 803 0	16 / 16	925 494 107 0	
925 324 804 0	16 / 16		Length of piston rod 38 mm, release pressure 4.6 bar.
925 324 805 0	16 / 16		Length of piston rod 37 mm, release pressure 4.6 bar.

Part number	Type	Universal Tristop® Cylinder	Comments
925 324 806 0	16 / 16		Length of piston rod 270 mm, release pressure 4.6 bar.
925 324 807 0	16 / 16		Length of piston rod 240 mm, release pressure 4.6 bar.
925 324 810 0	16 / 16		Length of piston rod 54 mm, release pressure 4.6 bar.
925 324 815 0	16 / 16		Length of piston rod 37 mm, release pressure 4.6 bar.
925 324 900 0	16 / 24	925 494 041 0	
925 324 901 0	16 / 24		
925 324 902 0	16 / 24		
925 324 903 0	16 / 24		
925 324 904 0	16 / 24		Length of piston rod 270 mm, release pressure 5.1 bar.
925 324 905 0	16 / 24		Length of piston rod 187 mm, release pressure 5.1 bar.
925 324 906 0	16 / 24		Length of piston rod 206 mm, release pressure 5.1 bar.
925 324 910 0	16 / 24		
925 324 920 0	16 / 24	925 494 041 0	
925 325 000 0	12 / 16	925 455 200 0	
925 325 003 0	12 / 16	925 455 200 0	
925 325 010 0	12 / 16	925 455 200 0	
925 325 013 0	12 / 16	925 455 200 0	
925 325 110 0	12 / 12	925 455 001 0	
925 325 111 0	12 / 12		Length of piston rod 54 mm, release pressure 4.8 bar.
925 325 112 0	12 / 12		Length of piston rod 37 mm, release pressure 4.8 bar.
925 325 113 0	12 / 12		Length of piston rod 37 mm, release pressure 4.8 bar.
925 325 118 0	12 / 12		Length of piston rod 37 mm, release pressure 4.8 bar.
925 325 119 0	12 / 12		Length of piston rod 54 mm, release pressure 4.8 bar.
925 325 121 0	12 / 12		Length of piston rod 54 mm, release pressure 4.8 bar.
925 325 130 0	12 / 12		Length of piston rod 54 mm, release pressure 4.8 bar.
925 325 138 0	12 / 12	925 455 001 0	
925 325 140 0	12 / 12		
925 325 201 0	12 / 16		Length of piston rod 60 mm, release pressure 4.6 bar.
925 325 202 0	12 / 16		Length of piston rod 30 mm, release pressure 4.6 bar.
925 325 204 0	12 / 16	925 455 200 0	
925 325 205 0	12 / 16	925 455 200 0	
925 325 206 0	12 / 16		Length of piston rod 37 mm, release pressure 4.6 bar.
925 325 207 0	12 / 16		Length of piston rod 65 mm, release pressure 4.6 bar.
925 325 208 0	12 / 16		Length of piston rod 300 mm, release pressure 4.6 bar.
925 325 210 0	12 / 16	925 455 200 0	
925 325 216 0	12 / 16		Length of piston rod 37 mm, release pressure 4.6 bar.
925 325 901 0	12 / 16		Length of piston rod 60 mm, release pressure 4.6 bar.
925 325 902 0	12 / 16	925 455 200 0	
925 326 000 0	14 / 12		Length of piston rod 37 mm, release pressure 4.8 bar.
925 326 001 0	14 / 12		Length of piston rod 37 mm, release pressure 4.8 bar.
925 326 002 0	14 / 12		Length of piston rod 37 mm, release pressure 4.8 bar.

Part number	Type	Universal Tristop® Cylinder	Comments
925 328 000 0	14 / 24	925 498 105 0	
925 328 001 0	14 / 24		
925 328 004 0	14 / 24		
925 328 007 0	14 / 24		Length of piston rod 60 mm, release pressure 5.1 bar.
925 328 014 0	14 / 24		Length of piston rod 60 mm, release pressure 5.1 bar.
925 328 017 0	14 / 24		Length of piston rod 60 mm, release pressure 5.1 bar.
925 328 021 0	14 / 24	925 498 105 0	
925 328 031 0	14 / 24	925 498 105 0	
925 328 100 0	14 / 24	925 498 105 0	
925 328 103 0	14 / 24		Length of piston rod 30 mm, release pressure 5.1 bar.
925 328 104 0	14 / 24		Length of piston rod 60 mm, release pressure 5.1 bar.
925 328 105 0	14 / 24		Length of piston rod 300 mm, release pressure 5.1 bar.
925 328 107 0	14 / 24	925 498 105 0	
925 328 110 0	14 / 24		
925 328 900 0	14 / 24		Length of piston rod 270 mm, release pressure 5.1 bar.
925 329 000 0	27 / 30	925 499 001 0	
925 329 001 0	27 / 30	925 499 001 0	
925 329 002 0	27 / 30	925 499 001 0	
925 329 004 0	27 / 30	925 499 001 0	
925 329 005 0	27 / 30	925 499 001 0	
925 329 006 0	27 / 30		Length of piston rod 300 mm, release pressure 5.1 bar.
925 329 007 0	27 / 30	925 499 001 0	
925 329 008 0	27 / 30	925 499 001 0	
925 329 011 0	27 / 30	925 499 001 0	
925 329 012 0	27 / 30	925 499 001 0	
925 329 015 0	27 / 30	925 499 001 0	
925 329 020 0	27 / 30	925 499 001 0	
925 329 021 0	27 / 30	925 499 001 0	
925 329 022 0	27 / 30	925 499 001 0	
925 329 031 0	27 / 30		Length of piston rod 50.8 mm, release pressure 5.1 bar.
925 329 032 0	27 / 30	925 499 001 0	
925 329 103 0	27 / 24	925 499 000 0	
925 329 104 0	27 / 24	925 499 000 0	
925 329 105 0	27 / 24	925 499 000 0	
925 329 106 0	27 / 24		Length of piston rod 50 mm, release pressure 5.1 bar.
925 329 113 0	27 / 24	925 499 000 0	
925 329 115 0	27 / 24	925 499 000 0	
925 329 116 0	27 / 24		Length of piston rod 50 mm, release pressure 5.1 bar.
925 329 120 0	27 / 24		Length of piston rod 70 mm, release pressure 5.1 bar.
925 329 121 0	27 / 24	925 499 000 0	
925 329 122 0	27 / 24	925 499 000 0	

Part number	Type	Universal Tristop® Cylinder	Comments
925 329 123 0	27 / 24	925 499 000 0	
925 329 140 0	27 / 24		Length of piston rod 50.8 mm, release pressure 4.2 bar.
925 329 160 0	27 / 24		Length of piston rod 37 mm, release pressure 5.1 bar.
925 329 161 0	27 / 24		Length of piston rod 54 mm, release pressure 5.1 bar.
925 329 162 0	27 / 24		Length of piston rod 54 mm, release pressure 5.1 bar.
925 329 163 0	27 / 24		Length of piston rod 37 mm, release pressure 5.1 bar.
925 329 170 0	27 / 24		Length of piston rod 37 mm, release pressure 5.1 bar.
925 329 172 0	27 / 24		Length of piston rod 54 mm, release pressure 5.1 bar.
925 329 173 0	27 / 24		Length of piston rod 37 mm, release pressure 5.1 bar.
925 329 900 0	27 / 16		Length of piston rod 54 mm, release pressure 4.6 bar.
925 329 901 0	27 / 16		Length of piston rod 54 mm, release pressure 4.6 bar.
925 329 910 0	27 / 16		Length of piston rod 54 mm, release pressure 4.6 bar.
925 420 004 0	20 / 24	925 490 925 0	
925 420 005 0	20 / 24	925 490 925 0	
925 420 006 0	20 / 24	925 490 925 0	
925 420 007 0	20 / 24	925 490 755 0	
925 420 011 0	24 / 24	925 491 141 0	
925 420 012 0	20 / 24	925 490 925 0	
925 420 020 0	20 / 24	925 490 925 0	
925 420 100 0	20 / 24	925 490 925 0	
925 420 101 0	20 / 24	925 490 925 0	
925 420 102 0	20 / 24		Length of piston rod 300 mm, release pressure 5.1 bar.
925 420 103 0	20 / 24	925 490 925 0	
925 420 104 0	20 / 24	925 490 925 0	
925 420 159 0	20 / 24		Length of piston rod 60 mm, release pressure 5.1 bar.
925 420 406 0	20 / 30		
925 420 500 0	20 / 30	925 490 101 0	
925 420 501 0	20 / 30		
925 420 502 0	20 / 30		
925 420 503 0	20 / 30		
925 420 504 0	20 / 30	925 490 101 0	
925 420 505 0	20 / 30	925 490 101 0	
925 420 520 0	20 / 30		
925 420 525 0	20 / 30	925 490 101 0	
925 420 526 0	20 / 30	925 490 101 0	
925 420 528 0	20 / 30	925 490 101 0	
925 420 530 0	20 / 30	925 490 101 0	
925 420 531 0	20 / 30	925 490 101 0	
925 420 533 0	20 / 30		Length of piston rod 75 mm, release pressure 5.1 bar.
925 420 538 0	20 / 30	925 490 101 0	
925 420 555 0	20 / 30	925 490 101 0	

Part number	Type	Universal Tristop® Cylinder	Comments
925 420 557 0	20 / 30	925 490 101 0	
925 420 701 0	20 / 24	925 490 755 0	
925 420 702 0	20 / 24	925 490 755 0	
925 420 704 0	20 / 24	925 490 755 0	
925 420 714 0	20 / 24	925 490 755 0	
925 420 715 0	20 / 24	925 490 925 0	
925 420 717 0	20 / 24		
925 420 718 0	20 / 24		
925 420 750 0	20 / 24	925 490 755 0	
925 420 751 0	20 / 24	925 490 755 0	
925 420 752 0	20 / 24	925 490 755 0	
925 420 753 0	20 / 24	925 490 755 0	
925 420 754 0	20 / 24	925 490 755 0	
925 420 901 0	20 / 30		Length of piston rod 37 mm, release pressure 5.1 bar.
925 420 902 0	20 / 24		Length of piston rod 37 mm, release pressure 5.1 bar.
925 420 905 0	20 / 24		Length of piston rod 37 mm, release pressure 5.1 bar.
925 420 906 0	20 / 30		Length of piston rod 37 mm, release pressure 5.1 bar.
925 420 908 0	20 / 24		Length of piston rod 155 mm, release pressure 5.1 bar.
925 420 910 0	20 / 24		Length of piston rod 125 mm, release pressure 5.1 bar.
925 420 951 0	20 / 24		Length of piston rod 75 mm, release pressure 5.5 bar.
925 420 953 0	20 / 24		Length of piston rod 200 mm, release pressure 5.5 bar.
925 420 954 0	20 / 24	925 490 925 0	
925 420 955 0	20 / 24		Length of piston rod 75 mm, release pressure 5.5 bar.
925 420 964 0	20 / 30		
925 420 965 0	20 / 30		
925 420 966 0	20 / 30		
925 420 967 0	20 / 30		
925 421 003 0	24 / 24		Length of piston rod 54 mm, release pressure 5.1 bar.
925 421 004 0	24 / 24		Length of piston rod 280 mm, release pressure 5.1 bar.
925 421 005 0	24 / 24	925 491 141 0	
925 421 010 0	24 / 24	925 491 141 0	
925 421 011 0	24 / 24	925 491 141 0	
925 421 020 0	24 / 24		Length of piston rod 310 mm, release pressure 5.1 bar.
925 421 085 0	24 / 24		Length of piston rod 50 mm, release pressure 5.1 bar.
925 421 095 0	24 / 24		Length of piston rod 50 mm, release pressure 5.1 bar.
925 421 100 0	24 / 24	925 491 141 0	
925 421 101 0	24 / 24		Length of piston rod 300 mm, release pressure 5.1 bar.
925 421 103 0	24 / 24	925 491 141 0	
925 421 104 0	24 / 24	925 491 141 0	
925 421 105 0	24 / 24	925 491 141 0	
925 421 106 0	24 / 24	925 491 141 0	

Part number	Type	Universal Tristop® Cylinder	Comments
925 421 107 0	24 / 24	925 491 141 0	
925 421 109 0	24 / 24	925 491 141 0	
925 421 117 0	24 / 24	925 491 141 0	
925 421 123 0	24 / 24		Length of piston rod 37 mm, release pressure 5.1 bar.
925 421 124 0	24 / 24		Length of piston rod 37 mm, release pressure 5.1 bar.
925 421 125 0	24 / 24		Length of piston rod 54 mm, release pressure 5.1 bar.
925 421 126 0	24 / 24		Length of piston rod 54 mm, release pressure 5.1 bar.
925 421 128 0	24 / 24		Length of piston rod 50 mm, release pressure 5.1 bar.
925 421 137 0	24 / 24	925 491 141 0	
925 421 138 0	24 / 24		Length of piston rod 50 mm, release pressure 5.1 bar.
925 421 141 0	24 / 24		Length of piston rod 50 mm, release pressure 5.1 bar.
925 421 142 0	24 / 24		Length of piston rod 50 mm, release pressure 5.1 bar.
925 421 150 0	24 / 24		Length of piston rod 50 mm, release pressure 5.1 bar.
925 421 151 0	24 / 24		Length of piston rod 50 mm, release pressure 5.1 bar.
925 421 341 0	24 / 24	925 491 141 0	
925 421 342 0	24 / 24	925 491 141 0	
925 421 344 0	24 / 24	925 491 141 0	
925 421 346 0	24 / 24	925 491 141 0	
925 421 347 0	24 / 24	925 491 141 0	
925 421 410 0	24 / 30	925 491 143 0	
925 421 415 0	24 / 30	925 491 143 0	
925 421 425 0	24 / 30	925 491 143 0	
925 421 426 0	24 / 30		Length of piston rod 37 mm, release pressure 5.1 bar.
925 421 428 0	24 / 30		Length of piston rod 37 mm, release pressure 5.1 bar.
925 421 430 0	24 / 30	925 491 143 0	
925 421 431 0	24 / 30	925 491 143 0	
925 421 433 0	24 / 30	925 491 143 0	
925 421 434 0	24 / 30	925 491 143 0	
925 421 435 0	24 / 30		
925 421 438 0	24 / 30		Length of piston rod 30 mm, release pressure 5.1 bar.
925 421 440 0	24 / 30		Length of piston rod 37 mm, release pressure 5.1 bar.
925 421 441 0	24 / 30		Length of piston rod 37 mm, release pressure 5.1 bar.
925 421 443 0	24 / 30	925 491 143 0	
925 421 450 0	24 / 30		Length of piston rod 75 mm, release pressure 5.1 bar.
925 421 452 0	24 / 30	925 491 143 0	
925 421 453 0	24 / 30	925 491 143 0	
925 421 460 0	24 / 30		Length of piston rod 60 mm, release pressure 5.1 bar.
925 421 461 0	24 / 30		Length of piston rod 60 mm, release pressure 5.1 bar.
925 421 470 0	24 / 30		Length of piston rod 50 mm, release pressure 5.3 bar.
925 421 471 0	24 / 30		Length of piston rod 50 mm, release pressure 5.3 bar.
925 421 490 0	24 / 30	925 491 143 0	

Part number	Type	Universal Tristop® Cylinder	Comments
925 421 491 0	24 / 30		Length of piston rod 77 mm, release pressure 5.3 bar.
925 421 492 0	24 / 30		Length of piston rod 77 mm, release pressure 5.3 bar.
925 421 493 0	24 / 30		Length of piston rod 30 mm, release pressure 5.3 bar.
925 421 494 0	24 / 30	925 491 143 0	
925 421 495 0	24 / 30	925 491 143 0	
925 421 496 0	24 / 30	925 491 143 0	
925 421 500 0	24 / 30	925 491 143 0	
925 421 501 0	24 / 30	925 491 143 0	
925 421 520 0	24 / 30		Length of piston rod 70 mm, release pressure 5.3 bar.
925 421 521 0	24 / 30	925 491 143 0	
925 421 522 0	24 / 30	925 491 143 0	
925 421 540 0	24 / 30		Length of piston rod 75 mm, release pressure 5.1 bar.
925 421 542 0	24 / 30	925 491 143 0	
925 421 543 0	24 / 30	925 491 143 0	
925 421 701 0	24 / 24	925 491 755 0	
925 421 703 0	24 / 24	925 491 755 0	
925 421 705 0	24 / 24	925 491 755 0	
925 421 715 0	24 / 24	925 491 755 0	
925 421 750 0	24 / 24	925 491 755 0	
925 421 751 0	24 / 24	925 491 755 0	
925 421 752 0	24 / 24	925 491 755 0	
925 421 900 0	24 / 24		Length of piston rod 37 mm, release pressure 5.1 bar.
925 421 901 0	24 / 24		Length of piston rod 37 mm, release pressure 5.1 bar.
925 421 920 0	24 / 24		Length of piston rod 54 mm, release pressure 5.1 bar.
925 421 921 0	24 / 24		Length of piston rod 54 mm, release pressure 5.1 bar.
925 421 950 0	24 / 24		Length of piston rod 75 mm, release pressure 5.5 bar.
925 421 951 0	24 / 24		Length of piston rod 200 mm, release pressure 5.5 bar.
925 421 952 0	24 / 24		Length of piston rod 200 mm, release pressure 5.5 bar.
925 421 953 0	24 / 24		Length of piston rod 210 mm, release pressure 5.5 bar.
925 421 954 0	24 / 24		Length of piston rod 210 mm, release pressure 5.5 bar.
925 421 955 0	24 / 24		Length of piston rod 75 mm, release pressure 5.5 bar.
925 422 017 0	30 / 24		Length of piston rod 70 mm, release pressure 5.1 bar.
925 422 040 0	30 / 30	925 492 102 0	
925 422 041 0	30 / 30	925 492 102 0	Length of piston rod 318 mm, release pressure 5.1 bar.
925 422 042 0	30 / 30	925 492 102 0	
925 422 043 0	30 / 30		
925 422 044 0	30 / 30	925 492 102 0	
925 422 051 0	30 / 30		Length of piston rod 315 mm, release pressure 5.1 bar.
925 422 052 0	30 / 30	925 492 102 0	
925 422 053 0	30 / 30	925 492 102 0	
925 422 080 0	30 / 30	925 492 102 0	



Part number	Type	Universal Tristop® Cylinder	Comments
925 422 081 0	30 / 30	925 492 102 0	
925 422 100 0	30 / 30		Length of piston rod 200 mm, release pressure 5.1 bar.
925 422 102 0	30 / 30	925 492 103 0	
925 422 105 0	30 / 30		Length of piston rod 70 mm, release pressure 5.1 bar.
925 422 112 0	30 / 30	925 492 103 0	
925 422 120 0	30 / 30	925 492 103 0	Universal Tristop® Cylinder disc sealing
925 422 122 0	30 / 30	925 492 102 0	
925 422 123 0	30 / 30	925 492 102 0	
925 422 126 0	30 / 30	925 492 102 0	
925 422 130 0	30 / 30	925 492 103 0	
925 422 131 0	30 / 30	925 492 102 0	
925 422 132 0	30 / 30	925 492 103 0	
925 422 133 0	30 / 30		
925 422 134 0	30 / 30		
925 422 135 0	30 / 30		
925 422 136 0	30 / 30	925 492 102 0	
925 422 150 0	30 / 30		Length of piston rod 50 mm, release pressure 5.1 bar.
925 422 151 0	30 / 30		Length of piston rod 50 mm, release pressure 5.1 bar.
925 422 156 0	30 / 30		Length of piston rod 50 mm, release pressure 5.3 bar.
925 422 157 0	30 / 30		Length of piston rod 50 mm, release pressure 5.3 bar.
925 422 188 0	30 / 30		Length of piston rod 50 mm, release pressure 5.1 bar.
925 422 198 0	30 / 30		Length of piston rod 50 mm, release pressure 5.1 bar.
925 422 200 0	30 / 30		Length of piston rod 54 mm, release pressure 5.1 bar.
925 422 203 0	30 / 30		Length of piston rod 37 mm, release pressure 5.1 bar.
925 422 204 0	30 / 30	925 492 102 0	
925 422 208 0	30 / 30	925 492 102 0	
925 422 209 0	30 / 30	925 492 102 0	
925 422 210 0	30 / 30		Length of piston rod 54 mm, release pressure 5.1 bar.
925 422 213 0	30 / 30		Length of piston rod 37 mm, release pressure 5.1 bar.
925 422 214 0	30 / 30	925 492 102 0	
925 422 217 0	30 / 30	925 492 102 0	
925 422 220 0	30 / 30	925 492 205 0	Universal Tristop® Cylinder disc sealing
925 422 221 0	30 / 30	925 492 205 0	Universal Tristop® Cylinder disc sealing
925 422 222 0	30 / 30		Length of piston rod 60 mm, release pressure 5.1 bar.
925 422 223 0	30 / 30		Length of piston rod 60 mm, release pressure 5.1 bar.
925 422 224 0	30 / 30		
925 422 225 0	30 / 30		Length of piston rod 54 mm, release pressure 5.1 bar.
925 422 226 0	30 / 30		
925 422 227 0	30 / 30	925 492 206 0	
925 422 241 0	30 / 30	925 492 103 0	Universal Tristop® Cylinder disc sealing
925 422 251 0	30 / 30	925 492 103 0	Universal Tristop® Cylinder disc sealing

Part number	Type	Universal Tristop® Cylinder	Comments
925 422 423 0	30 / 30		Length of piston rod 77 mm, release pressure 5.8 bar.
925 422 433 0	30 / 30		Length of piston rod 77 mm, release pressure 5.8 bar.
925 422 600 0	30 / 24		Length of piston rod 77 mm, release pressure 5.1 bar.
925 422 601 0	30 / 24		Length of piston rod 37 mm, release pressure 5.1 bar.
925 422 603 0	30 / 24	925 492 101 0	
925 422 610 0	30 / 24		Length of piston rod 77 mm, release pressure 5.1 bar.
925 422 611 0	30 / 24		Length of piston rod 37 mm, release pressure 5.1 bar.
925 422 612 0	30 / 24		Length of piston rod 54 mm, release pressure 5.1 bar.
925 422 613 0	30 / 24	925 492 101 0	
925 422 622 0	30 / 24		Length of piston rod 54 mm, release pressure 5.1 bar.
925 422 710 0	30 / 24		Length of piston rod 70 mm, release pressure 5.5 bar.
925 422 900 0	30 / 30		Length of piston rod 210 mm, release pressure 5.1 bar.
925 422 901 0	30 / 30		Length of piston rod 210 mm, release pressure 5.1 bar.
925 422 902 0	30 / 30		Length of piston rod 37 mm, release pressure 5.1 bar.
925 422 903 0	30 / 30		Length of piston rod 37 mm, release pressure 5.1 bar.
925 422 905 0	30 / 30		Length of piston rod 200 mm, release pressure 5.1 bar.
925 422 906 0	30 / 30		Length of piston rod 200 mm, release pressure 5.1 bar.
925 422 908 0	30 / 24		Length of piston rod 54 mm, release pressure 5.1 bar.
925 422 930 0	30 / 30		Length of piston rod 54 mm, release pressure 5.1 bar.
925 422 931 0	30 / 30		Length of piston rod 54 mm, release pressure 5.1 bar.
925 424 001 0	16 / 24	925 494 041 0	
925 424 040 0	16 / 24		Length of piston rod 30 mm, release pressure 5.1 bar.
925 424 100 0	16 / 24	925 494 041 0	
925 424 101 0	16 / 24	925 494 041 0	
925 424 102 0	16 / 24		Length of piston rod 300 mm, release pressure 5.1 bar.
925 424 103 0	16 / 24		Length of piston rod 37 mm, release pressure 5.1 bar.
925 424 104 0	16 / 24	925 494 041 0	
925 424 105 0	16 / 24	925 494 041 0	
925 424 106 0	16 / 24	925 494 041 0	
925 424 701 0	16 / 24	925 494 755 0	Universal Tristop® Cylinder disc sealing
925 424 703 0	16 / 24	925 494 755 0	Universal Tristop® Cylinder disc sealing
925 424 713 0	16 / 24	925 494 755 0	Universal Tristop® Cylinder disc sealing
925 424 750 0	16 / 24	925 494 755 0	Universal Tristop® Cylinder disc sealing
925 424 751 0	16 / 24	925 494 755 0	Universal Tristop® Cylinder disc sealing
925 424 752 0	16 / 24	925 494 755 0	Universal Tristop® Cylinder disc sealing
925 424 803 0	16 / 16	925 494 107 0	
925 424 804 0	16 / 16	925 494 107 0	
925 424 900 0	16 / 16		Length of piston rod 200 mm, release pressure 5.1 bar.
925 424 910 0	16 / 24		Length of piston rod 37 mm, release pressure 5.1 bar.
925 424 911 0	16 / 24		Length of piston rod 37 mm, release pressure 5.1 bar.
925 425 900 0	12 / 16		Length of piston rod 200 mm, release pressure 5.1 bar.

Part number	Type	Universal Tristop® Cylinder	Comments
925 427 000 0	22 / 30		Fording ability
925 427 100 0	22 / 24		Fording ability
925 427 101 0	22 / 24		Fording ability
925 427 102 0	22 / 24		Fording ability
925 428 100 0	14 / 24		Fording ability
925 428 101 0	14 / 24		Fording ability
925 428 102 0	14 / 24	925 498 105 0	
925 428 103 0	14 / 24		Fording ability
925 428 104 0	14 / 24		Fording ability
925 428 105 0	14 / 24		Length of piston rod 300 mm, release pressure 5.1 bar.
925 428 107 0	14 / 24	925 498 105 0	
925 428 111 0	14 / 24		Length of piston rod 37 mm, release pressure 5.1 bar.
925 428 112 0	14 / 24	925 498 105 0	
925 428 113 0	14 / 24		Length of piston rod 30 mm, release pressure 5.1 bar.
925 428 900 0	14 / 16		Length of piston rod 37 mm, release pressure 5.1 bar.
925 428 901 0	14 / 16		Length of piston rod 37 mm, release pressure 5.1 bar.
925 429 002 0	27 / 30	925 499 001 0	
925 429 003 0	27 / 30		Length of piston rod 68 mm, release pressure 5.1 bar.
925 429 004 0	27 / 30	925 499 001 0	
925 429 007 0	27 / 30		Length of piston rod 68 mm, release pressure 5.1 bar.
925 429 008 0	27 / 30		Length of piston rod 68 mm, release pressure 5.1 bar.
925 429 012 0	27 / 30	925 499 001 0	
925 429 013 0	27 / 30		Length of piston rod 68 mm, release pressure 5.1 bar.
925 429 014 0	27 / 30	925 499 001 0	
925 429 020 0	27 / 30	925 499 001 0	
925 429 022 0	27 / 30	925 499 001 0	
925 429 024 0	27 / 30		Length of piston rod 75 mm, release pressure 5.1 bar.
925 429 025 0	27 / 30	925 499 001 0	
925 429 032 0	27 / 30	925 499 001 0	
925 429 033 0	27 / 30		Length of piston rod 50 mm, release pressure 5.1 bar.
925 429 034 0	27 / 30		Length of piston rod 50 mm, release pressure 5.1 bar.
925 429 035 0	27 / 30	925 499 001 0	
925 429 042 0	27 / 30	925 499 001 0	
925 429 050 0	27 / 30		Length of piston rod 50 mm, release pressure 5.1 bar.
925 429 051 0	27 / 30		Length of piston rod 50 mm, release pressure 5.1 bar.
925 429 103 0	27 / 24	925 499 000 0	
925 429 104 0	27 / 24	925 499 000 0	
925 429 106 0	27 / 24		Length of piston rod 50 mm, release pressure 5.1 bar.
925 429 107 0	27 / 24	925 499 000 0	
925 429 113 0	27 / 24	925 499 000 0	
925 429 114 0	27 / 24	925 499 000 0	

Part number	Type	Universal Tristop® Cylinder	Comments
925 429 116 0	27 / 24		Length of piston rod 50 mm, release pressure 5.1 bar.
925 429 120 0	27 / 24		Length of piston rod 70 mm, release pressure 5.1 bar.
925 429 121 0	27 / 24	925 499 000 0	
925 429 123 0	27 / 24	925 499 000 0	
925 429 160 0	27 / 24		Length of piston rod 37 mm, release pressure 5.1 bar.
925 429 162 0	27 / 24		Length of piston rod 54 mm, release pressure 5.1 bar.
925 429 170 0	27 / 24		Length of piston rod 37 mm, release pressure 5.1 bar.
925 429 172 0	27 / 24		Length of piston rod 54 mm, release pressure 5.1 bar.
925 429 173 0	27 / 24		Length of piston rod 37 mm, release pressure 5.1 bar.
925 429 176 0	27 / 24		Length of piston rod 50 mm, release pressure 5.1 bar.
925 429 177 0	27 / 24		Fording ability
925 429 180 0	27 / 24	925 499 000 0	
925 429 181 0	27 / 24	925 499 000 0	
925 429 182 0	27 / 24		Fording ability
925 429 183 0	27 / 24	925 499 000 0	
925 429 184 0	27 / 24	925 499 000 0	
925 429 185 0	27 / 24		Fording ability
925 429 186 0	27 / 24		Fording ability
925 429 187 0	27 / 24		Length of piston rod 50 mm, release pressure 5.1 bar.
925 429 900 0	27 / 30		Length of piston rod 210 mm, release pressure 5.1 bar.
925 429 901 0	27 / 30		Length of piston rod 210 mm, release pressure 5.1 bar.
925 430 000 0	20 / 24	925 490 000 0	
925 430 001 0	20 / 24	925 490 000 0	
925 430 002 0	20 / 24	925 490 000 0	
925 430 005 0	20 / 24	925 490 000 0	
925 430 006 0	20 / 24	925 490 000 0	
925 430 008 0	20 / 24	925 490 000 0	
925 430 009 0	20 / 24	925 490 000 0	
925 430 010 0	20 / 24	925 490 000 0	
925 430 028 0	20 / 24	925 490 000 0	
925 430 030 0	20 / 24	925 490 000 0	
925 430 035 0	20 / 24	925 490 000 0	
925 430 036 0	20 / 24	925 490 000 0	
925 430 040 0	20 / 24	925 490 000 0	
925 430 047 0	20 / 24	925 490 000 0	
925 430 048 0	20 / 24	925 490 000 0	
925 430 056 0	20 / 24	925 490 000 0	
925 430 066 0	20 / 24		Length of piston rod 70 mm, release pressure 4.9 bar.
925 430 100 0	20 / 24	925 490 000 0	
925 430 101 0	20 / 24	925 490 000 0	
925 430 102 0	20 / 24	925 490 000 0	

Part number	Type	Universal Tristop® Cylinder	Comments
925 430 106 0	20 / 24	925 490 102 0	
925 430 400 0	20 / 30	925 490 101 0	
925 430 401 0	20 / 30	925 490 101 0	
925 430 402 0	20 / 30	925 490 101 0	
925 430 403 0	20 / 30		Fording ability
925 430 450 0	20 / 30		Fording ability
925 430 451 0	20 / 30		Fording ability
925 431 002 0	24 / 24		Fording ability
925 431 003 0	24 / 24	925 491 110 0	
925 431 004 0	24 / 24	925 491 110 0	
925 431 005 0	24 / 24	925 491 110 0	
925 431 006 0	24 / 24	925 491 110 0	
925 431 007 0	24 / 24	925 491 110 0	
925 431 008 0	24 / 24	925 491 110 0	
925 431 010 0	24 / 24	925 491 110 0	
925 431 011 0	24 / 24	925 491 110 0	
925 431 027 0	24 / 24	925 491 110 0	
925 431 028 0	24 / 24	925 491 110 0	
925 431 032 0	24 / 24	925 491 110 0	
925 431 033 0	24 / 24	925 491 110 0	
925 431 034 0	24 / 24	925 491 110 0	
925 431 035 0	24 / 24	925 491 110 0	
925 431 047 0	24 / 24	925 491 110 0	
925 431 048 0	24 / 24	925 491 110 0	
925 431 053 0	24 / 24	925 491 110 0	
925 431 063 0	24 / 24		Length of piston rod 70 mm, release pressure 4.9 bar.
925 431 070 0	24 / 24	925 491 110 0	
925 431 071 0	24 / 24	925 491 110 0	
925 431 072 0	24 / 24	925 491 110 0	
925 431 073 0	24 / 24	925 491 110 0	
925 431 081 0	24 / 24	925 491 110 0	
925 431 100 0	24 / 24		Length of piston rod 200 mm, release pressure 4.9 bar.
925 431 101 0	24 / 24		Length of piston rod 186 mm, release pressure 4.9 bar.
925 431 102 0	24 / 24		Length of piston rod 187 mm, release pressure 4.9 bar.
925 431 103 0	24 / 24	925 491 112 0	
925 431 160 0	24 / 24	925 491 112 0	
925 431 400 0	24 / 30	925 491 110 0	
925 431 401 0	24 / 30	925 491 110 0	
925 431 402 0	24 / 30	925 491 110 0	
925 431 403 0	24 / 30	925 491 110 0	
925 431 410 0	24 / 30		Length of piston rod 70 mm, release pressure 5.8 bar.

Part number	Type	Universal Tristop® Cylinder	Comments
925 431 421 0	24 / 30		Fording ability
925 431 422 0	24 / 30		Fording ability
925 431 423 0	24 / 30		Length of piston rod 70 mm, release pressure 5.8 bar.
925 431 440 0	24 / 30		Length of piston rod 200 mm, release pressure 4.9 bar.
925 431 441 0	24 / 30	925 491 111 0	
925 431 450 0	24 / 30		Length of piston rod 70 mm, release pressure 4.9 bar.
925 431 470 0	24 / 30		
925 431 471 0	24 / 30		
925 431 480 0	24 / 30		Length of piston rod 58 mm, release pressure 5.1 bar.
925 431 490 0	24 / 30		Length of piston rod 70 mm, release pressure 5.8 bar.
925 431 500 0	24 / 30	925 491 143 0	
925 431 501 0	24 / 30	925 491 143 0	
925 431 550 0	24 / 30	925 491 143 0	
925 431 551 0	24 / 30	925 491 143 0	
925 432 000 0	30 / 24		Length of piston rod 70 mm, release pressure 4.9 bar.
925 432 001 0	30 / 24		Length of piston rod 70 mm, release pressure 4.9 bar.
925 432 002 0	30 / 24		Length of piston rod 70 mm, release pressure 4.9 bar.
925 432 022 0	30 / 24		Length of piston rod 70 mm, release pressure 4.9 bar.
925 432 072 0	30 / 24		
925 432 100 0	30 / 30		Length of piston rod 70 mm, release pressure 4.9 bar.
925 432 101 0	30 / 30		Length of piston rod 78 mm, release pressure 4.9 bar.
925 432 102 0	30 / 30		Length of piston rod 78 mm, release pressure 4.9 bar.
925 432 103 0	30 / 30		Length of piston rod 215 mm, release pressure 4.9 bar.
925 432 104 0	30 / 30		Length of piston rod 215 mm, release pressure 4.9 bar.
925 432 105 0	30 / 30		Length of piston rod 70 mm, release pressure 4.9 bar.
925 432 106 0	30 / 30		Length of piston rod 70 mm, release pressure 4.9 bar.
925 432 107 0	30 / 30		Length of piston rod 260 mm, release pressure 4.9 bar.
925 432 108 0	30 / 30		Length of piston rod 260 mm, release pressure 4.9 bar.
925 432 115 0	30 / 30		Length of piston rod 70 mm, release pressure 4.9 bar.
925 432 116 0	30 / 30		Length of piston rod 70 mm, release pressure 4.9 bar.
925 432 200 0	30 / 30		Length of piston rod 200 mm, release pressure 4.9 bar.
925 432 300 0	30 / 24		Length of piston rod 200 mm, release pressure 4.9 bar.
925 432 301 0	30 / 24	925 492 207 0	
925 432 400 0	30 / 30		Length of piston rod 300 mm, release pressure 5.1 bar.
925 432 401 0	30 / 30	925 492 103 0	
925 432 402 0	30 / 30	925 492 103 0	
925 432 403 0	30 / 30	925 492 103 0	
925 432 404 0	30 / 30	925 492 103 0	
925 432 405 0	30 / 30	925 492 103 0	
925 432 406 0	30 / 30	925 492 103 0	
925 432 410 0	30 / 30		Length of piston rod 70 mm, release pressure 5.8 bar.

Part number	Type	Universal Tristop® Cylinder	Comments
925 432 411 0	30 / 30		Length of piston rod 70 mm, release pressure 5.8 bar.
925 432 412 0	30 / 30		Length of piston rod 70 mm, release pressure 5.8 bar.
925 432 420 0	30 / 30	925 492 102 0	
925 432 440 0	30 / 30		Length of piston rod 70 mm, release pressure 5.8 bar.
925 432 500 0	30 / 24		Length of piston rod 60 mm, release pressure 4.9 bar.
925 432 501 0	30 / 24		Length of piston rod 60 mm, release pressure 4.9 bar.
925 439 100 0	27 / 24		Length of piston rod 220 mm, release pressure 4.9 bar.
925 439 400 0	27 / 30		Length of piston rod 300 mm, release pressure 5.1 bar.
925 439 401 0	27 / 30	925 499 001 0	
925 439 402 0	27 / 30	925 499 001 0	
925 439 403 0	27 / 30	925 499 001 0	
925 439 404 0	27 / 30	925 499 001 0	
925 439 405 0	27 / 30	925 499 001 0	
925 439 406 0	27 / 30	925 499 001 0	
925 439 407 0	27 / 30		
925 440 210 0	20 / 24		Length of piston rod 200 mm, release pressure 4.1 bar.
925 441 001 0	24 / 24		Length of piston rod 200 mm, release pressure 5.1 bar.
925 450 001 0	20 / 24	925 490 925 0	
925 450 002 0	20 / 30	925 490 101 0	
925 450 003 0	20 / 24	925 490 100 0	
925 450 004 0	20 / 30	925 490 121 0	
925 451 001 0	24 / 24	925 491 141 0	
925 451 002 0	24 / 24	925 491 142 0	
925 451 400 0	24 / 30	925 491 143 0	
925 452 001 0	30 / 30	925 492 102 0	
925 452 002 0	30 / 30	925 492 103 0	
925 452 020 0	30 / 24	925 492 101 0	
925 452 022 0	30 / 24	925 492 100 0	
925 454 000 0	16 / 16	925 494 107 0	
925 454 001 0	16 / 24	925 494 041 0	
925 454 002 0	16 / 24	925 494 108 0	
925 458 000 0	14 / 24	925 498 105 0	
925 459 001 0	27 / 30	925 499 001 0	
925 459 002 0	27 / 30	925 499 002 0	
925 459 100 0	27 / 24	925 499 000 0	

